

**FLUIDPARTS** compact FPC power pack  
 auxiliary CETOP adapter manifolds

### Technical Properties

- auxiliary CETOP adapter manifold for FPC power packs
- 1,2 and 3 row CETOP adapter plates
- suited for standard CETOP valves
- size NG6 (CETOP 3) with valve connection pattern according to ISO4401-3
- horizontal and vertical options are available
- possible extension to further external adapters possible
- adapter manifolds available to adjust to the height of different electrical motor sizes

### Description

Compact hydraulic power packs are used where decentral hydraulic power is needed for rotary or linear drives and only limited space is available. The *FLUIDPARTS compact (FPC)* power pack series especially is designed-to-cost and function. This is achieved by a consequent standardization, function integration and modular configuration.

In order to meet the versatile needs of hydraulic functions for customer applications, we offer a wide range of auxiliary manifolds, in order to combine the *FPC* power pack with additional 1, 2 and 3 row CETOP adapter plates.

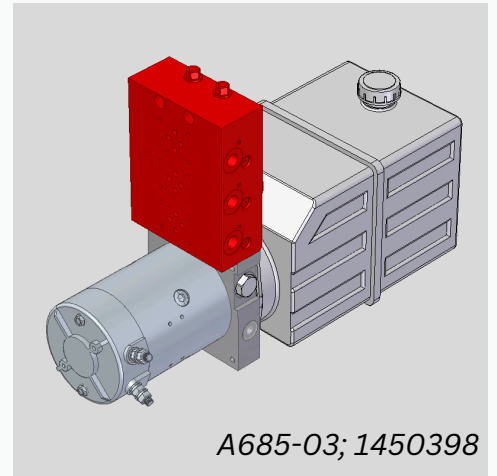
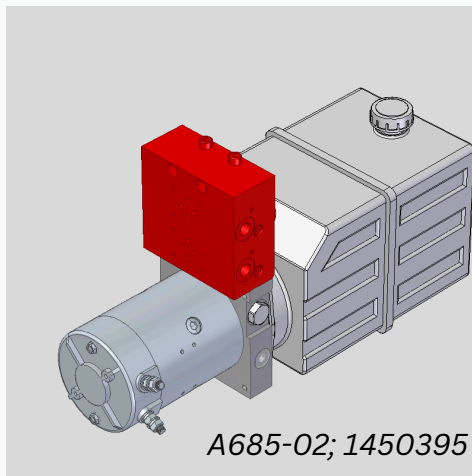
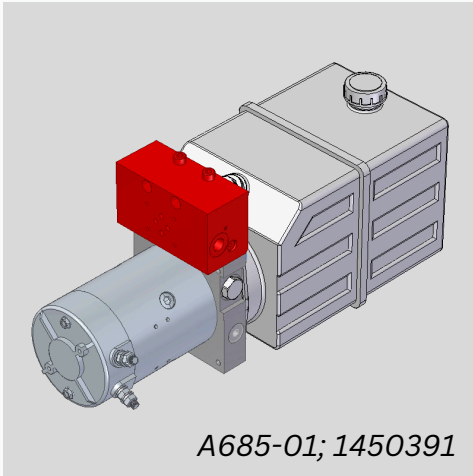
The functionality of the *FPC* power pack can thus be extended to further applications, such as hydraulic jacks, adjustment ramps, saw applications, agricultural applications, etc..

### Technical Data

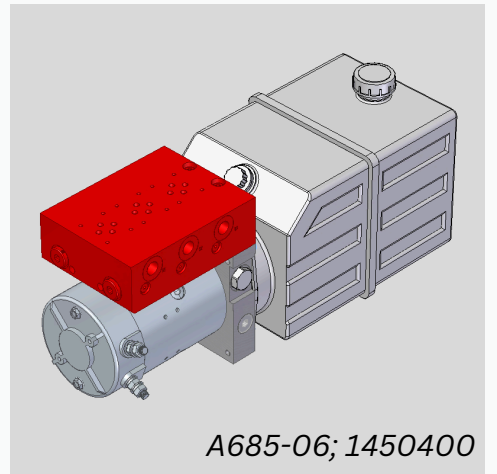
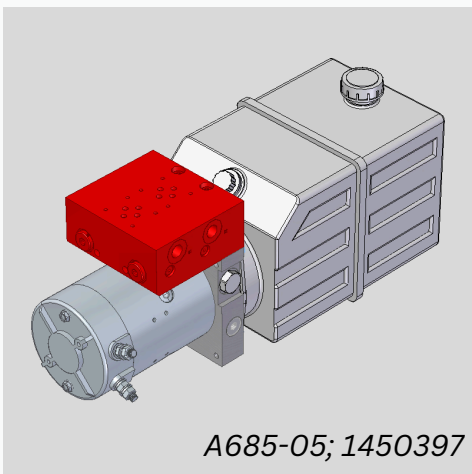
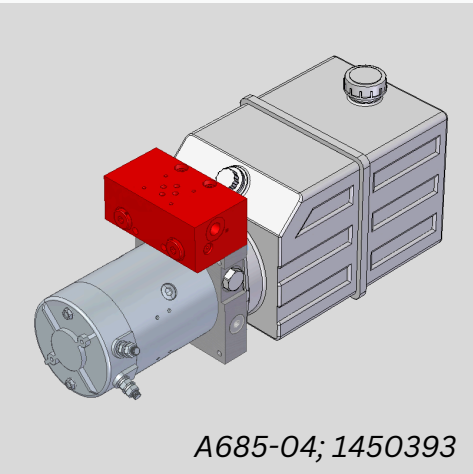
number of CETOP rows	-	1, 2 an 3 row
max. operating pressure	bar	<b>240</b>
max. inlet flow rate	l/min	<b>24</b>
approved type of oil	-	oil according to DIN 51 524
used materials	-	Aluminium (anodized grey; manifold); NBR; zink plating, steel
matches with following power packs	-	FPC power packs type C00 and higher
requested oil cleanliness level		19/17/14



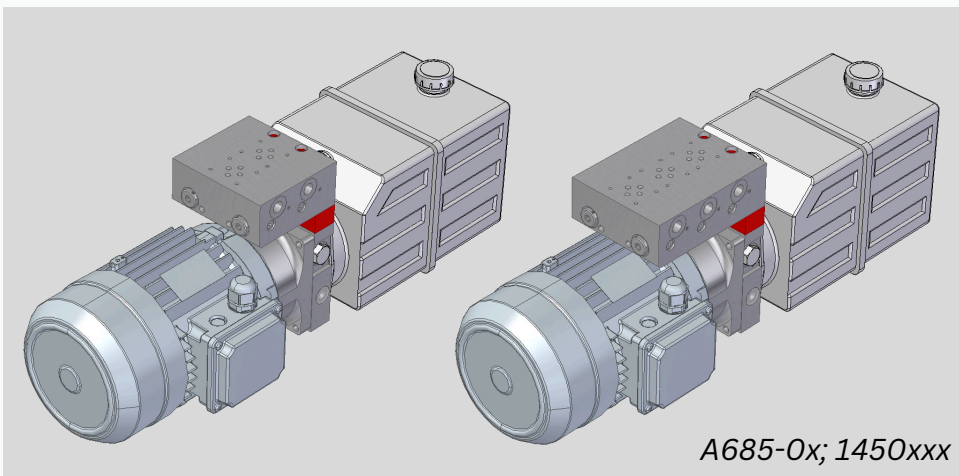
**Technical Data**



**vertical CETOP adapter manifolds 1, 2 and 3 rows**

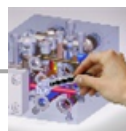


**horizontal CETOP adapter manifolds 1, 2 and 3 rows**



**horizontal CETOP adapter height adjustment for AC-motors**

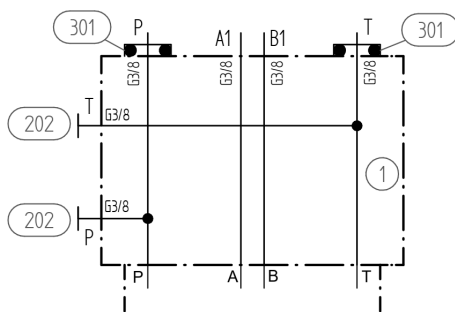
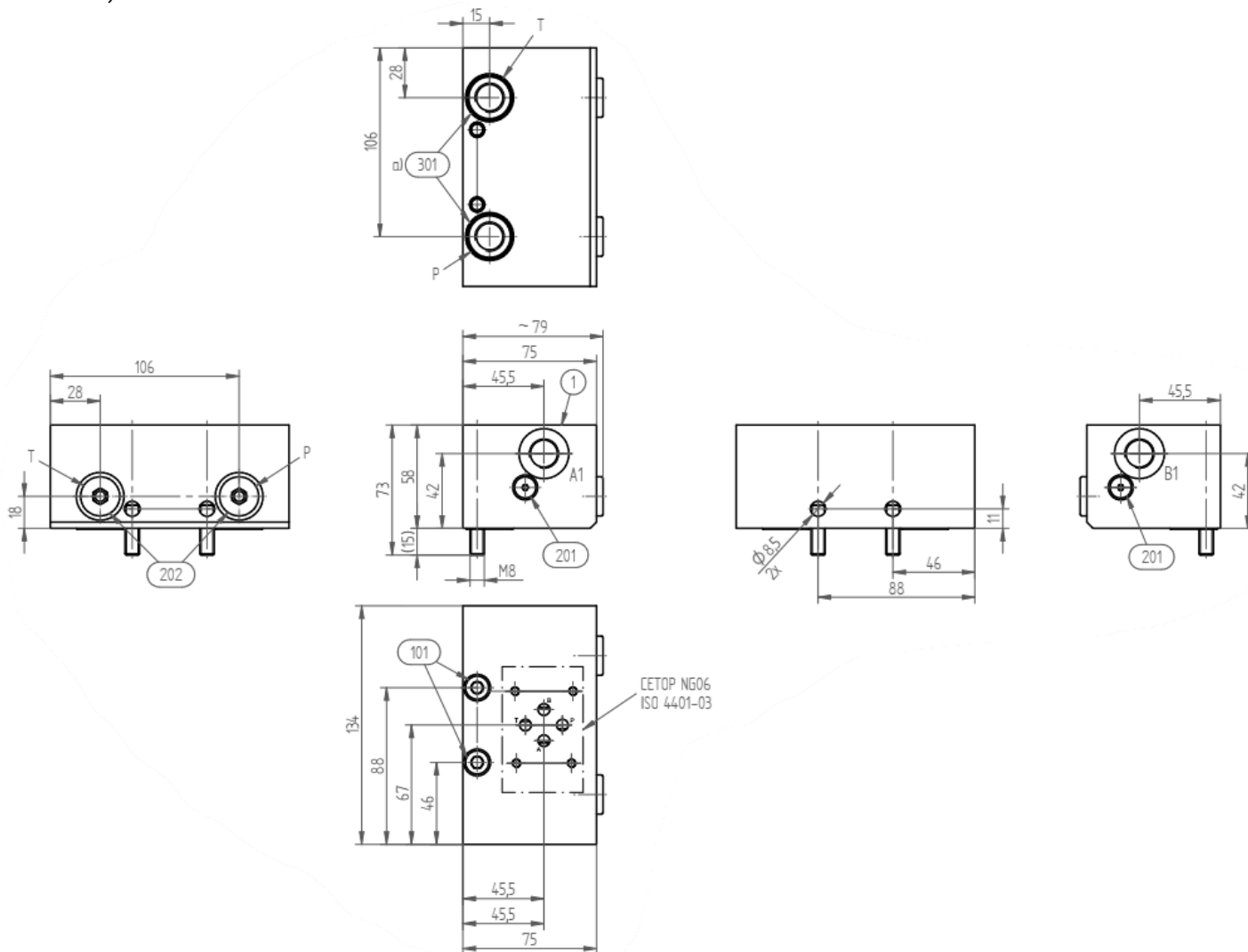




**Dimensions**

**single horizontal CETOP adapter**

A685-04; 1450393



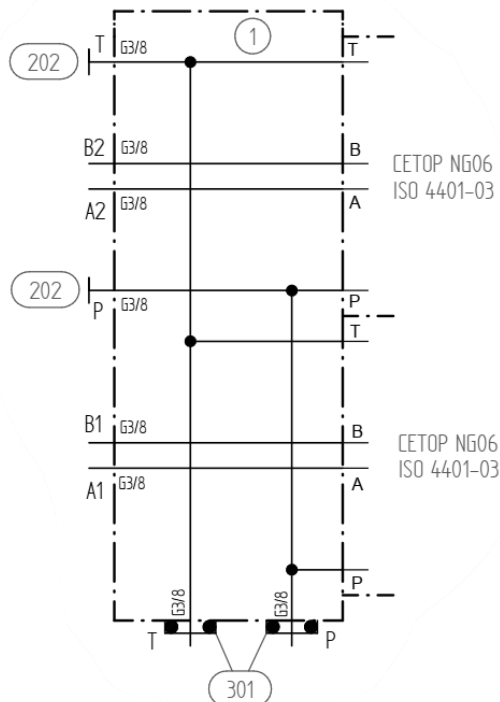
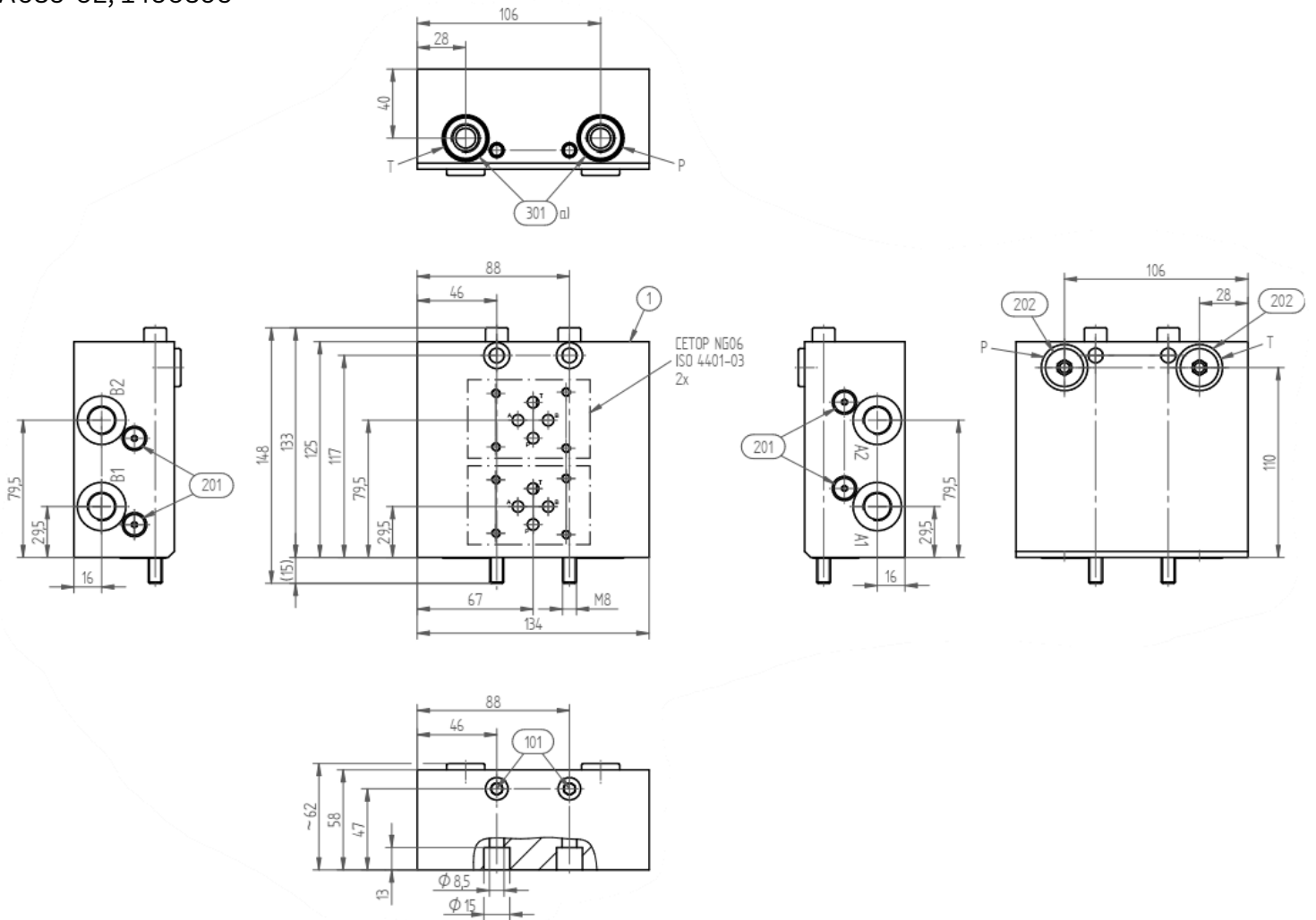
CETOP NG06  
ISO 4401-03

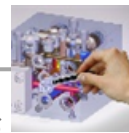


**Dimensions**

**double vertical CETOP adapter**

A685-02; 1450395

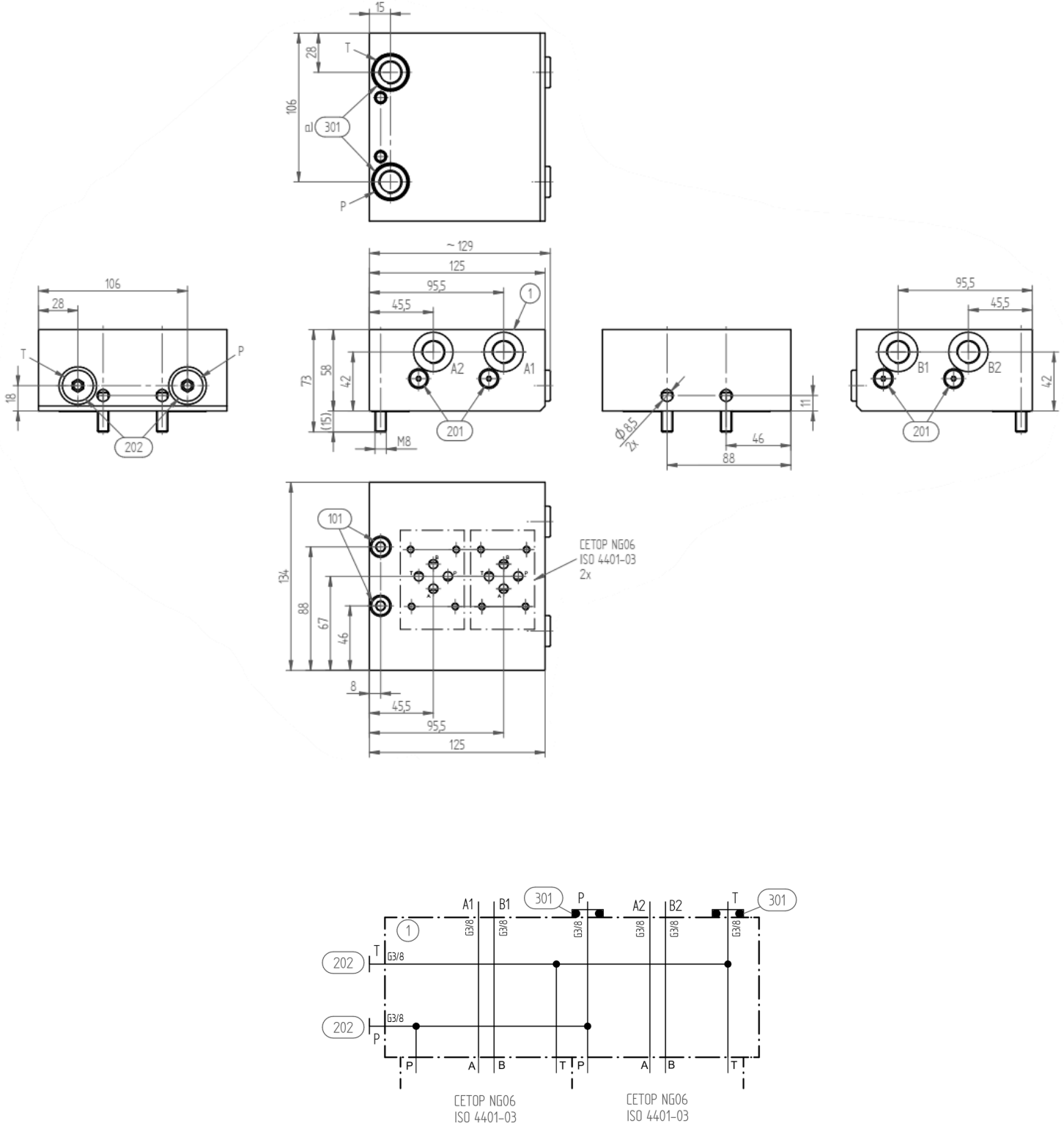




**Dimensions**

**double horizontal CETOP adapter**

A685-05; 1450397





## Dimensions

### triple vertical CETOP adapter

A685-03; 1450398

